

**MORSETTERIA ED ACCESSORI PER FIBRA OTTICA
FITTINGS AND ACCESSORIES FOR OPGW**

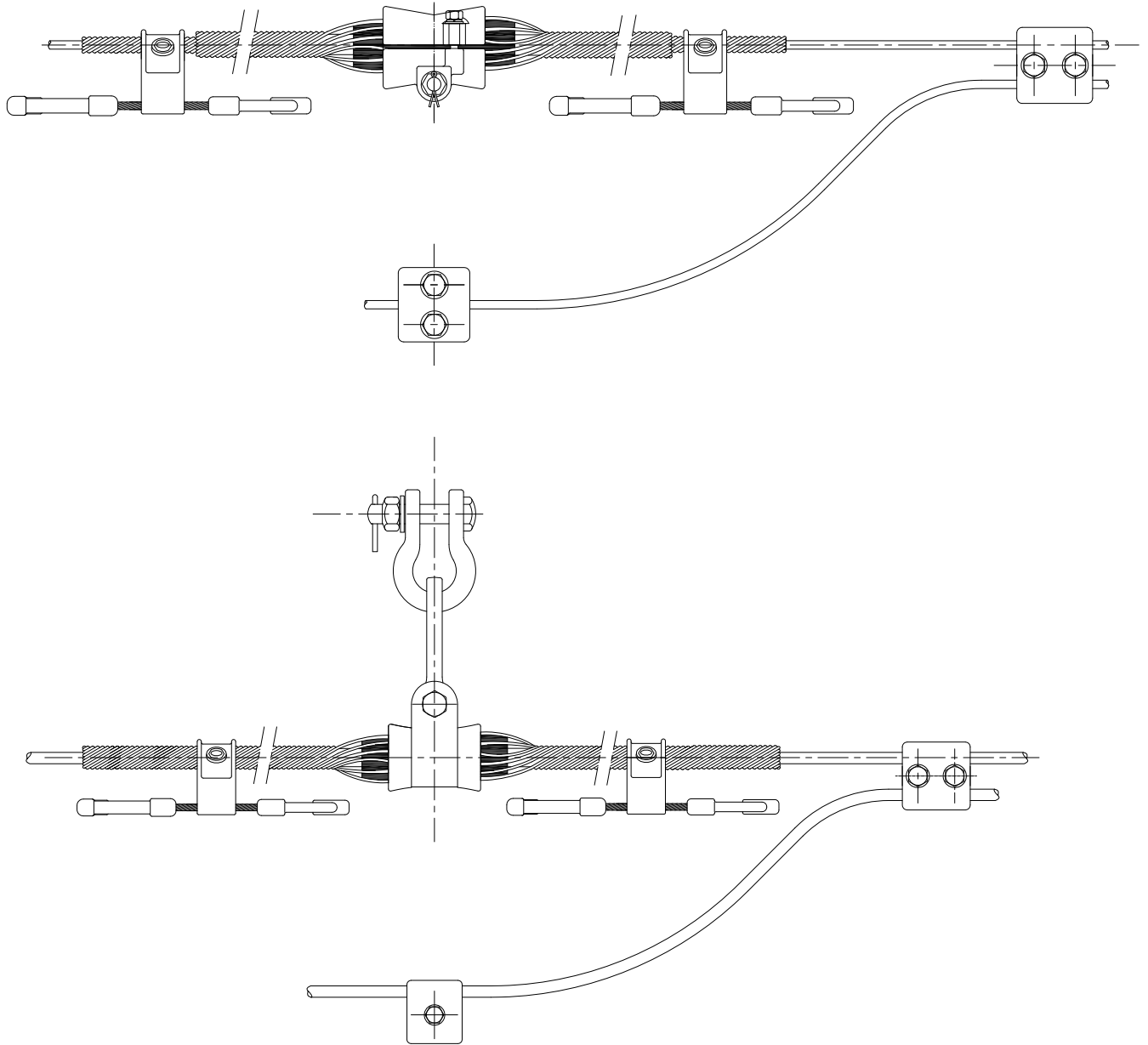


NE S



EQUIPAGGIAMENTI DI SOSPENSIONE

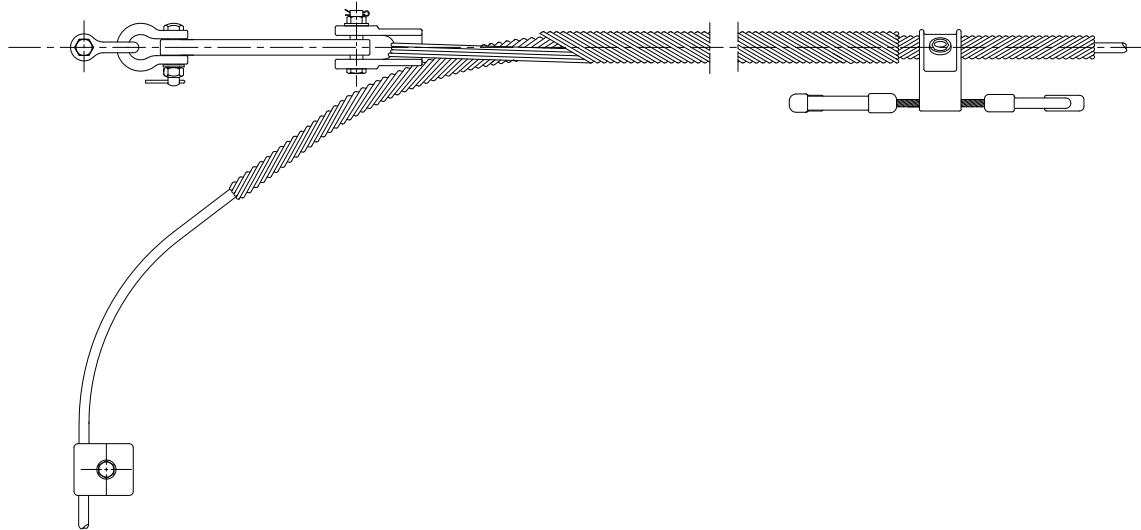
SUSPENSION SETS



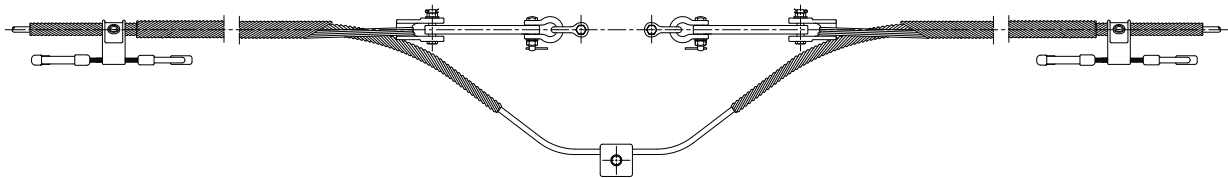


EQUIPAGGIAMENTI DI AMARRO

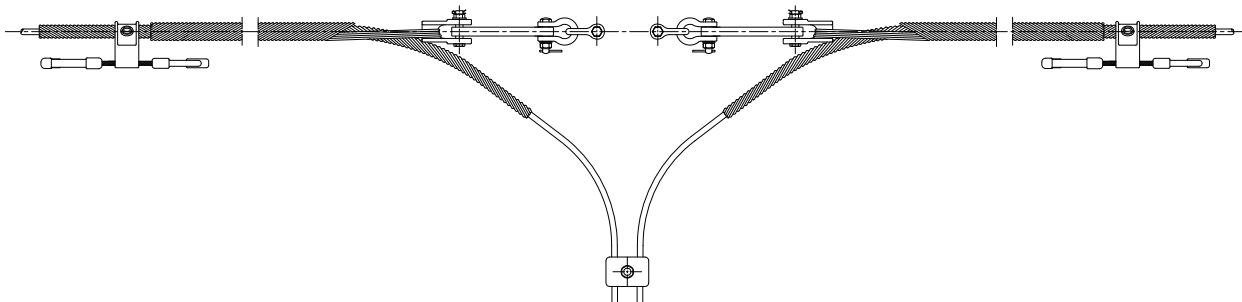
TENSION SETS



Equipaggiamento di amarro unilaterale
Unilateral tension set



Equipaggiamento di amarro passante
Bilateral tension set – passing

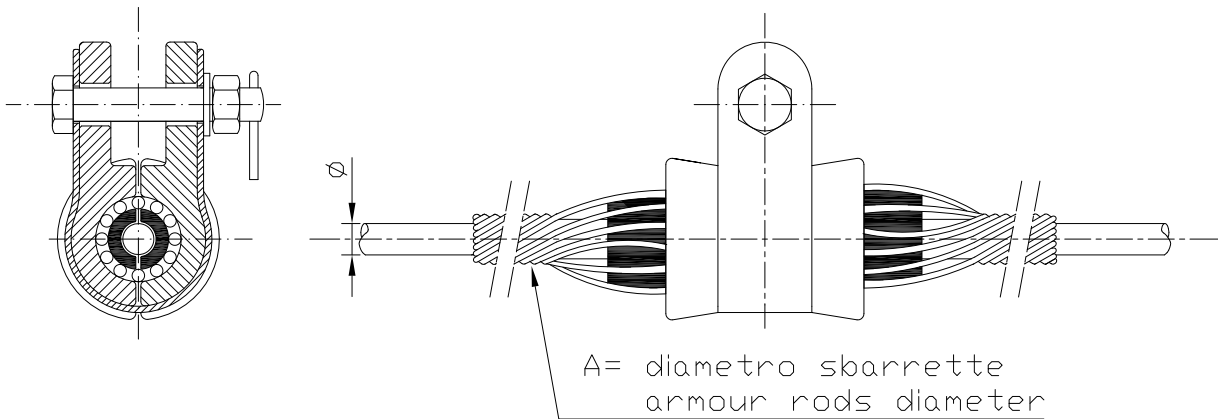


Equipaggiamento di amarro per giunzione ottica
Bilateral tension set – splicing



MORSETTO DI SOSPENSIONE PER OPGW

ARMOUR GRIP SUSPENSION CLAMP FOR OPGW

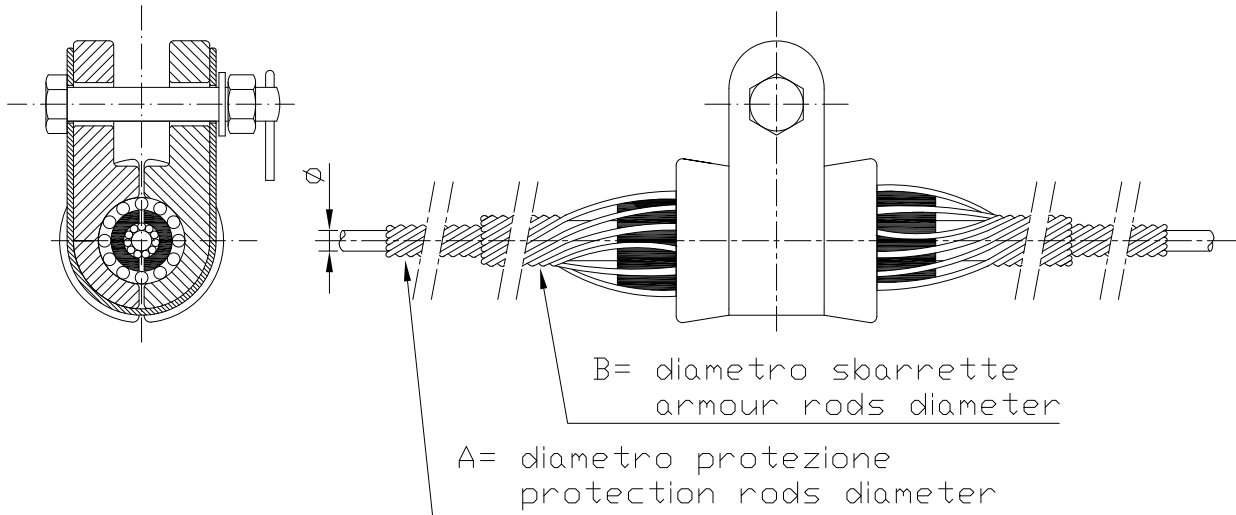


CODICE NES	DIMENSIONI (mm)			N° SBARR.
NES CODE	DIMENSIONS (mm)			N° RODS
	ϕ	A	Length	
8 21 09 605	9÷9.5	3.7	1200	8
8 21 09 606	9.5÷10	3.7	1200	9
8 21 10 605	10÷10.5	3.7	1250	9
8 21 10 606	10.5÷11	3.7	1300	10
8 21 11 605	11÷11.5	3.7	1300	10
8 21 11 606	11.5÷12	3.7	1350	11
8 21 12 605	12÷12.5	3.7	1400	11
8 21 12 606	12.5÷13	4.6	1400	9
8 21 13 607	13÷13.5	4.6	1450	9
8 21 13 608	13.5÷14	4.6	1500	10
8 21 14 605	14÷14.5	4.6	1550	10
8 21 14 606	14.5÷15	4.6	1550	10
8 21 15 603	15÷15.5	4.6	1600	11
8 21 15 604	15.5÷16	4.6	1600	11
8 21 16 604	16÷16.5	5.2	1600	10
8 21 16 605	16.5÷17	5.2	1600	10
8 21 17 604	17÷17.5	5.2	1650	11
8 21 17 605	17.5÷18	5.2	1650	11
8 21 18 604	18÷18.5	5.2	1700	11
8 21 18 605	18.5÷19	5.2	1700	11
8 21 19 604	19÷19.5	5.2	1750	12
8 21 19 605	19.5÷20	5.2	1750	12
8 21 20 604	20÷20.5	5.2	1800	12

MATERIALS:

Body Clamp:	<i>Aluminium alloy</i>
Strap:	<i>Galvanized steel</i>
Rubber insert:	<i>Neoprene</i>
Rods:	<i>Aluminium alloy</i>

MORSETTO DI SOSPENSIONE PER OPGW
ARMOUR GRIP SUSPENSION CLAMP FOR OPGW



CODICE NES NES CODE	DIMENSIONI (mm) DIMENSIONS (mm)		
	ϕ OPGW	A	B
8 21 09 601	9÷9.5	3.7	5.2
8 21 09 602	9.5÷10	3.7	5.2
8 21 10 601	10÷10.5	3.7	5.2
8 21 10 602	10.5÷11	3.7	5.2
8 21 11 601	11÷11.5	3.7	5.2
8 21 11 602	11.5÷12	3.7	5.2
8 21 12 601	12÷12.5	3.7	5.2
8 21 12 602	12.5÷13	3.7	5.2
8 21 13 601	13÷13.5	3.7	6.4
8 21 13 602	13.5÷14	3.7	6.4
8 21 14 601	14÷14.5	3.7	6.4
8 21 14 602	14.5÷15	3.7	6.4
8 21 15 601	15÷15.5	3.7	6.4
8 21 15 602	15.5÷16	3.7	6.4
8 21 16 601	16÷16.5	3.7	6.4
8 21 16 602	16.5÷17	3.7	6.4
8 21 17 601	17÷17.5	3.7	6.4
8 21 17 602	17.5÷18	3.7	6.4
8 21 18 601	18÷18.5	3.7	6.4
8 21 18 602	18.5÷19	3.7	6.4
8 21 19 601	19÷19.5	3.7	6.4
8 21 19 602	19.5÷20	3.7	6.4

MATERIALS:

 Body Clamp: *Aluminium alloy*

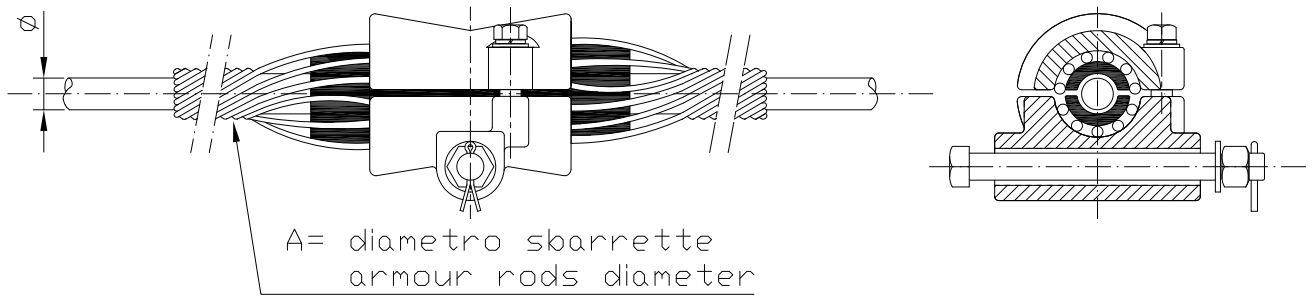
 Strap: *Galvanized steel*

 Rubber insert: *Neoprene*

 Rods: *Aluminium alloy*



MORSETTO DI SOSPENSIONE PER OPGW
ARMOUR GRIP SUSPENSION CLAMP FOR OPGW



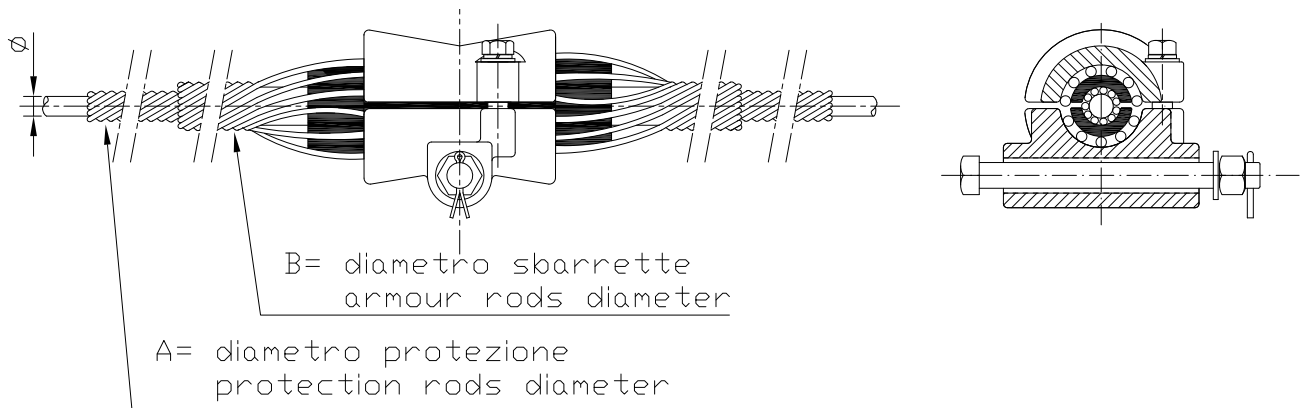
CODICE NES	DIMENSIONI (mm)	
NES CODE	DIMENSIONS (mm)	
	ϕ OPGW	A
8 21 09 607	9÷9.5	3.7
8 21 09 608	9.5÷10	3.7
8 21 10 607	10÷10.5	3.7
8 21 10 608	10.5÷11	3.7
8 21 11 607	11÷11.5	3.7
8 21 11 608	11.5÷12	3.7
8 21 12 607	12÷12.5	3.7
8 21 12 608	12.5÷13	4.6
8 21 13 609	13÷13.5	4.6
8 21 13.610	13.5÷14	4.6
8 21 14 607	14÷14.5	4.6
8 21 14 608	14.5÷15	4.6
8 21 15 607	15÷15.5	4.6
8 21 15 608	15.5÷16	4.6
8 21 16 608	16÷16.5	4.6
8 21 16 609	16.5÷17	5.2
8 21 17 608	17÷17.5	5.2
8 21 17 609	17.5÷18	5.2
8 21 18 608	18÷18.5	5.2
8 21 18 609	18.5÷19	5.2
8 21 19 608	19÷19.5	5.2
8 21 19 609	19.5÷20	5.2

MATERIALS:

Body Clamp: *Aluminium alloy*

Rubber insert: *Neoprene*

Rods: *Aluminium alloy*

MORSETTO DI SOSPENSIONE PER OPGW
ARMOUR GRIP SUSPENSION CLAMP FOR OPGW


CODICE NES NES CODE	DIMENSIONI (mm) DIMENSIONS (mm)		
	ϕ OPGW	A	B
8 21 09 603	9÷9.5	3.7	5.2
8 21 09 604	9.5÷10	3.7	5.2
8 21 10 603	10÷10.5	3.7	5.2
8 21 10 604	10.5÷11	3.7	5.2
8 21 11 603	11÷11.5	3.7	5.2
8 21 11 604	11.5÷12	3.7	5.2
8 21 12 603	12÷12.5	3.7	5.2
8 21 12 604	12.5÷13	3.7	5.2
8 21 13 603	13÷13.5	3.7	6.4
8 21 13 604	13.5÷14	3.7	6.4
8 21 14 605	14÷14.5	3.7	6.4
8 21 14 606	14.5÷15	3.7	6.4
8 21 15 603	15÷15.5	3.7	6.4
8 21 15 604	15.5÷16	3.7	6.4
8 21 16 606	16÷16.5	3.7	6.4
8 21 16 607	16.5÷17	3.7	6.4
8 21 17 606	17÷17.5	3.7	6.4
8 21 17 607	17.5÷18	3.7	6.4
8 21 18 606	18÷18.5	3.7	6.4
8 21 18 607	18.5÷19	3.7	6.4
8 21 19 606	19÷19.5	3.7	6.4
8 21 19 607	19.5÷20	3.7	6.4

MATERIALS:

 Body Clamp: *Aluminium alloy*

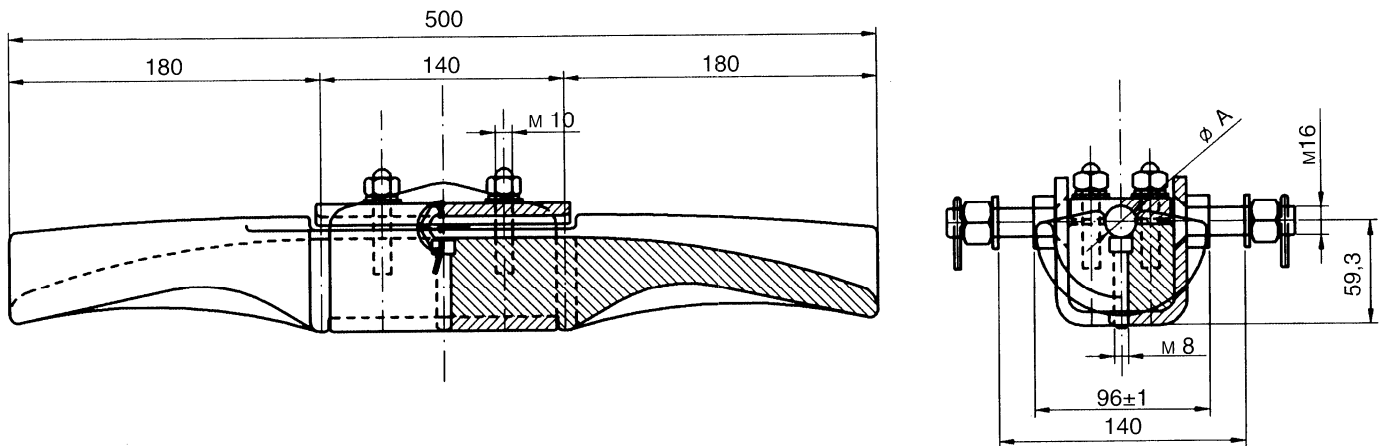
 Rubber insert: *Neoprene*

 Rods: *Aluminium alloy*



MORSETTO DI SOSPENSIONE METACENTRICO PER OPGW

METACENTRIC SUSPENSION CLAMP FOR OPGW



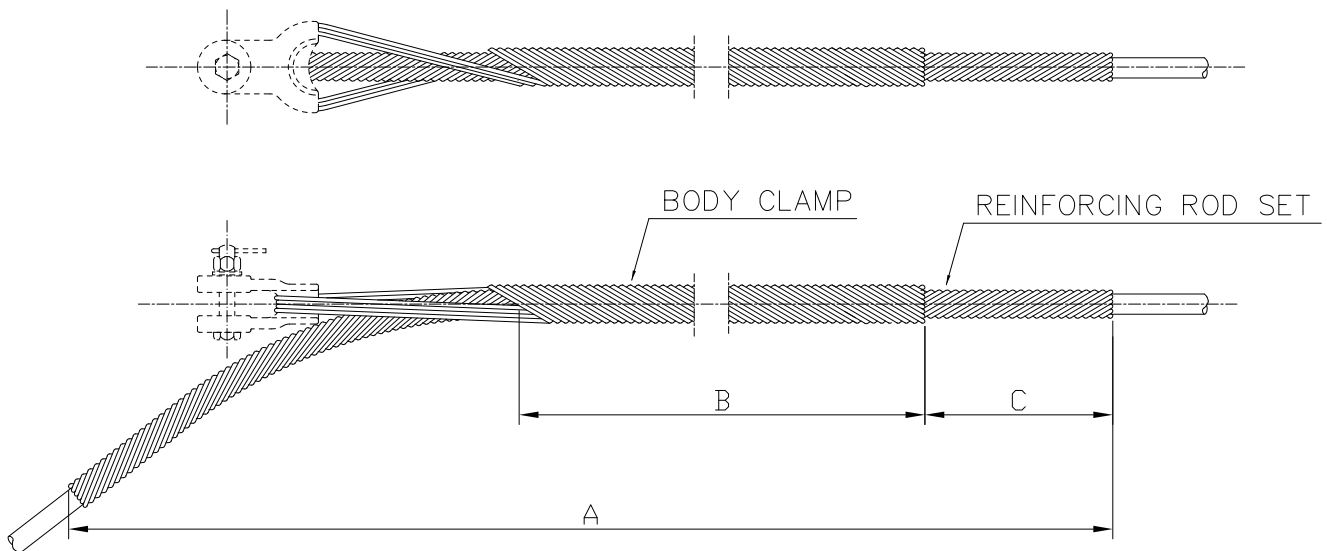
CONDUTOR DIA	CODE NES	DIMENSION	ENEL CODE	UTS
φ CONDUTTORE mm	CODICE NES	DIMENSIONE A	CODICE ENEL	CARICO DI ROTTURA
10,5	8 21 10 002	10.7	DM 506	47.9 KN
11,5	8 21 11 001	12.7	DM 505	68.4 KN
17,9	8 21 17 001	17.1	LM 514	72.5 KN

MATERIALS:

Body Clamp: *Aluminium alloy*

Keeper: *Aluminium alloy*

Support: *Galvanized steel*

MORSA DI AMARRO PREFORMATA PER OPGW
PREFORMED TENSION CLAMP FOR OPGW


Clevis-thimble not included

CODICE NES	DIMENSIONI (mm)			
NES CODE	DIMENSIONS (mm)			
	ϕ	A	B	C
<i>OPGW</i>				
8 22 09 605	9÷9.5	2300	1000	500
8 22 09 606	9.5÷10	2400	1100	500
8 22 10 605	10÷10.5	2450	1150	500
8 22 10 606	10.5÷11	2500	1200	500
8 22 11 605	11÷11.5	2500	1200	500
8 22 11 606	11.5÷12	2550	1250	500
8 22 12 605	12÷12.5	2550	1250	500
8 22 12 606	12.5÷13	2600	1250	500
8 22 13 607	13÷13.5	2600	1250	500
8 22 13 608	13.5÷14	2650	1300	500
8 22 14 605	14÷14.5	2650	1300	500
8 22 14 615	14.5÷15	2650	1300	500
8 22 15 603	15÷15.5	2650	1300	500
8 22 15 613	15.5÷16	2650	1300	500
8 22 16 604	16÷16.5	2700	1350	500
8 22 16 614	16.5÷17	2700	1350	500
8 22 17 604	17÷17.5	2700	1350	500
8 22 17 614	17.5÷18	2700	1350	500
8 22 18 604	18÷18.5	2750	1350	500
8 22 18 614	18.5÷19	2750	1350	500
8 22 19 604	19÷19.5	2800	1400	500
8 22 19 614	19.5÷20	2800	1400	500
8 22 20 604	20÷20.5	2800	1400	500

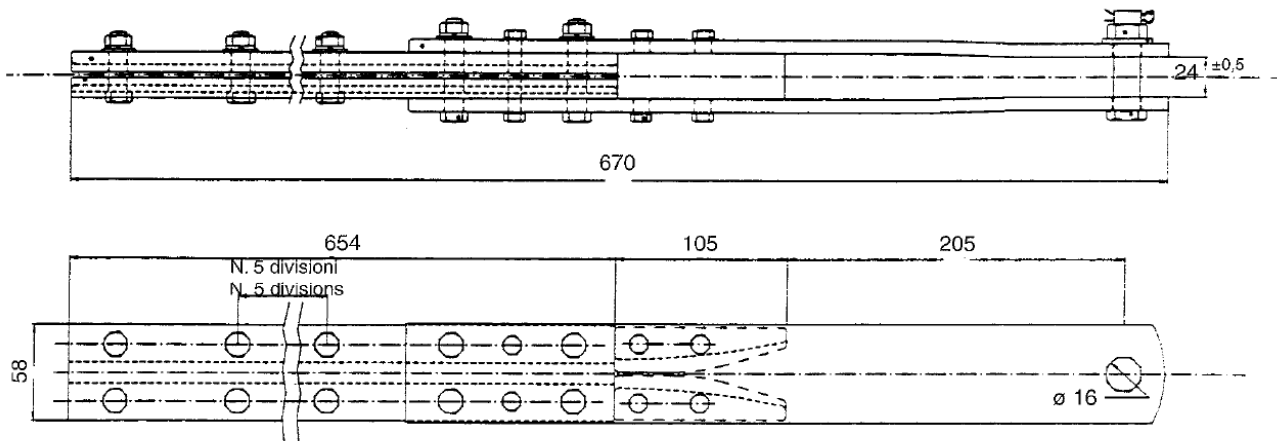
MATERIAL:

Rods: *Aluminium Clad Steel*



MORSA DI AMARRO A BULLONI PER OPGW

BOLTED TENSION CLAMP FOR OPGW



NES CODE	ENEL CODE
CODICE NES	CODICE ENEL
8 22 10 001	DM 526
8 22 11 001	DM 525
8 22 13 101	
8 22 17 001	DM 524

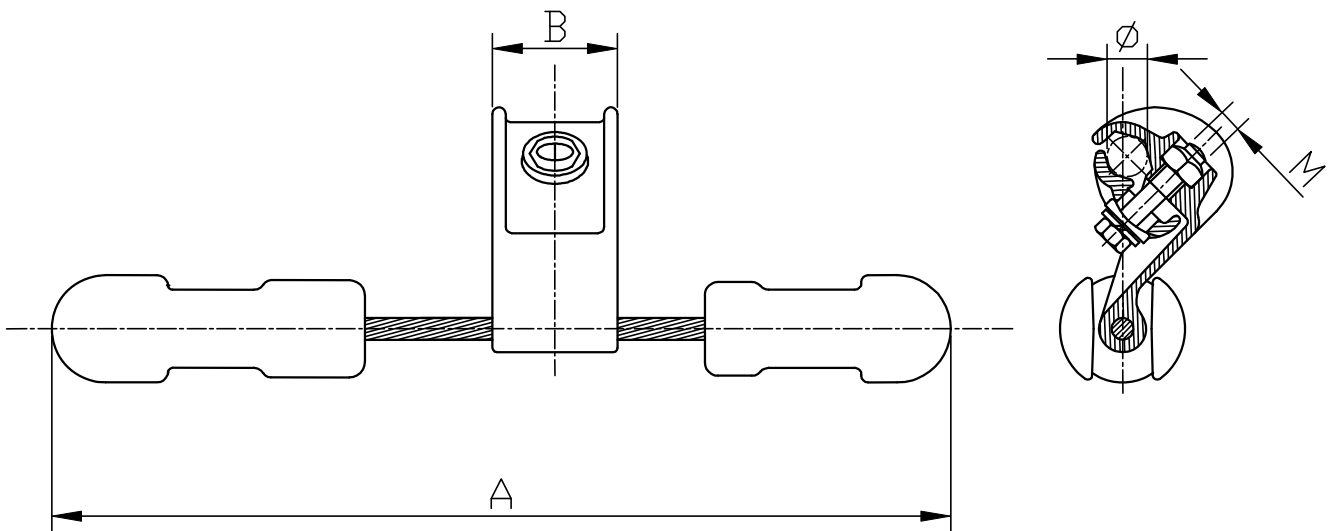
MATERIALS:

Body Clamp: *Aluminium alloy*

Keeper: *Aluminium alloy*

Retaining plates: *Galvanized steel*

AMMORTIZZATORE TIPO STOCKBRIDGE PER OPGW
STOCKBRIDGE TYPE VIBRATION DAMPER FOR OPGW



To be installed on armour rods

CODICE NES	DIMENSIONI (mm)				
NES CODE	DIMENSIONS (mm)				
	OPGW dia.	ϕ	A	B	M
8 50 01 870	7-14.5	14-25	381	60	12
8 50 01 873	14.5-21	25-32	402	60	12

MATERIALS:

Body Clamp: *Aluminium alloy*

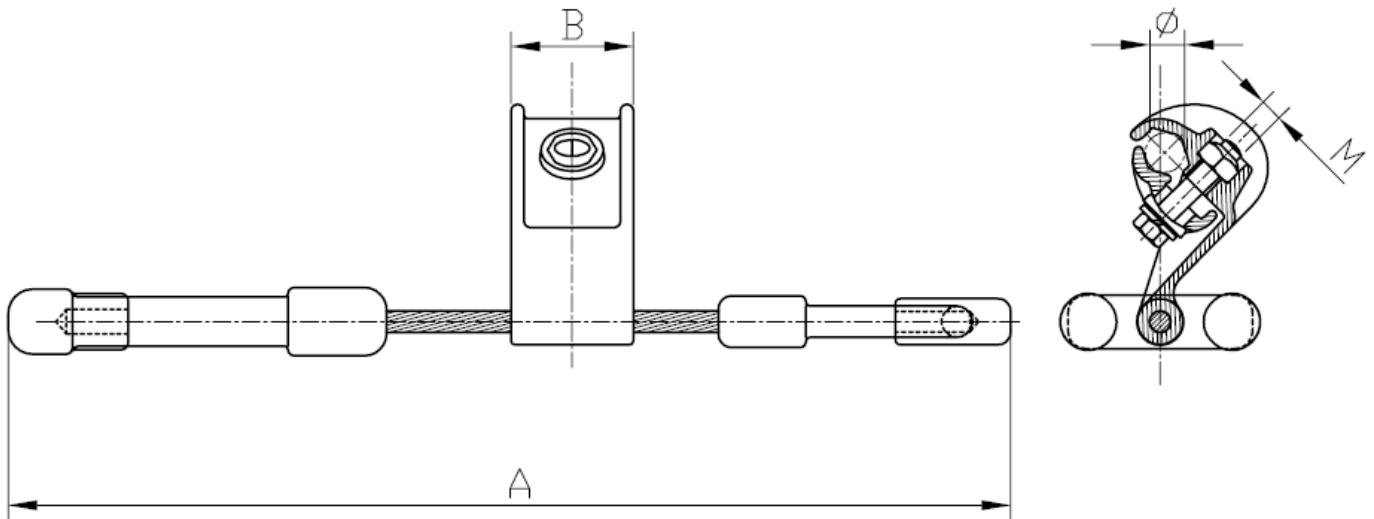
Keeper: *Aluminium alloy*

Messenger cable: *Galvanized steel*

Weights: *Zinc-aluminium alloy*



AMMORTIZZATORE TIPO STOCKBRIDGE PER OPGW
STOCKBRIDGE TYPE VIBRATION DAMPER FOR OPGW



To be installed on armour rods

CODICE NES		DIMENSIONI (mm)			
NES CODE		DIMENSIONS (mm)			
	OPGW dia.	ϕ	A	B	M
8 50 01 470	7-14.5	14-25	400	60	12
8 50 01 473	14.5-21	25-32	420	60	12

MATERIALS:

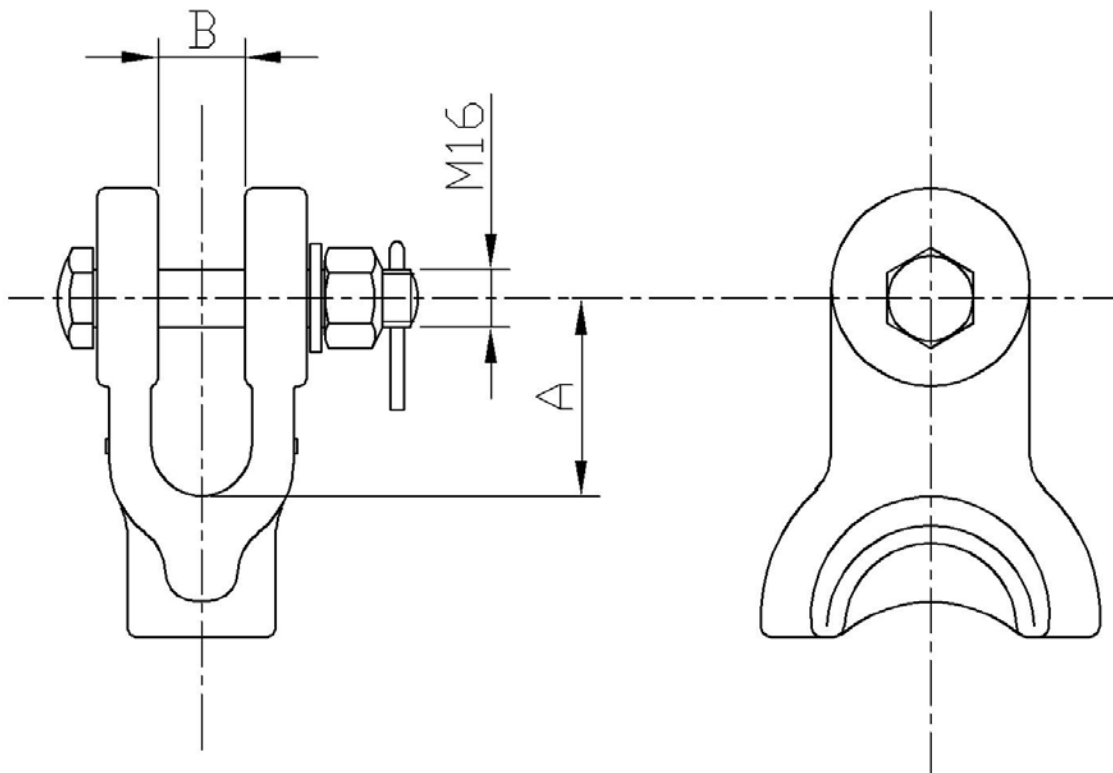
Body Clamp: *Aluminium alloy*

Keeper: *Aluminium alloy*

Messenger cable: *Galvanized steel*

Weights: *Galvanized steel*

REDANCIA THIMBLE CLEVIS

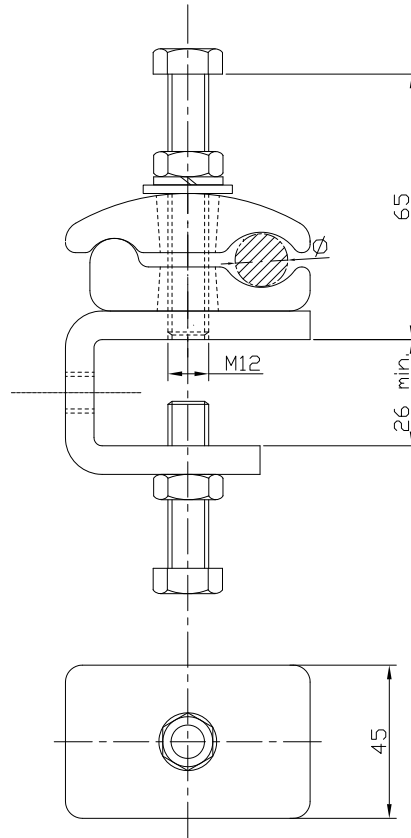


CODICE NES NES CODE	DIMENSIONI (mm) DIMENSIONS (mm)		UTS (kN)	MATERIAL
	A	B		
8 22 99 103	50	24	60	Galvanized steel
8 22 99 105	55	24	120	Aluminum alloy
8 22 99 001	65	24	130	Aluminum alloy
8 22 99 108	34	14	60	Galvanized steel



MORSETTO DI DISCESA PER OPGW

DOWN – LEAD CLAMP FOR OPGW



CODICE NES	DIMENSIONI (mm)
NES CODE	DIMENSIONS (mm)
	ϕ
8 36 01 882	10÷20.5

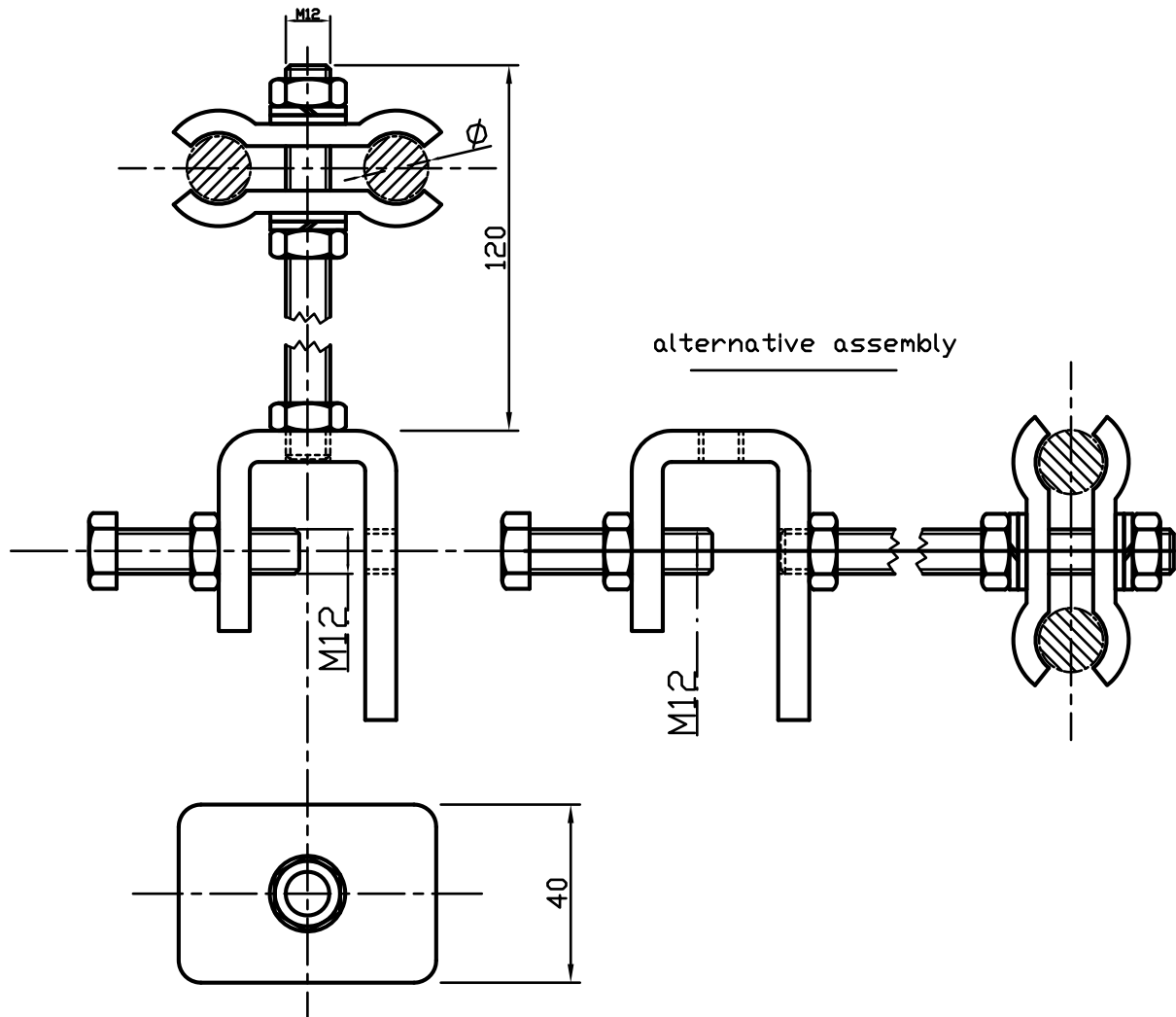
MATERIALS:

Clamp: *Aluminium alloy*

Bracket: *Galvanized steel*

MORSETTO DI DISCESA PER OPGW

DOWN – LEAD CLAMP FOR OPGW



CODICE NES	DIMENSIONI (mm)
NES CODE	DIMENSIONS (mm)
8 36 02 968	ϕ 10÷20.5

MATERIALS:

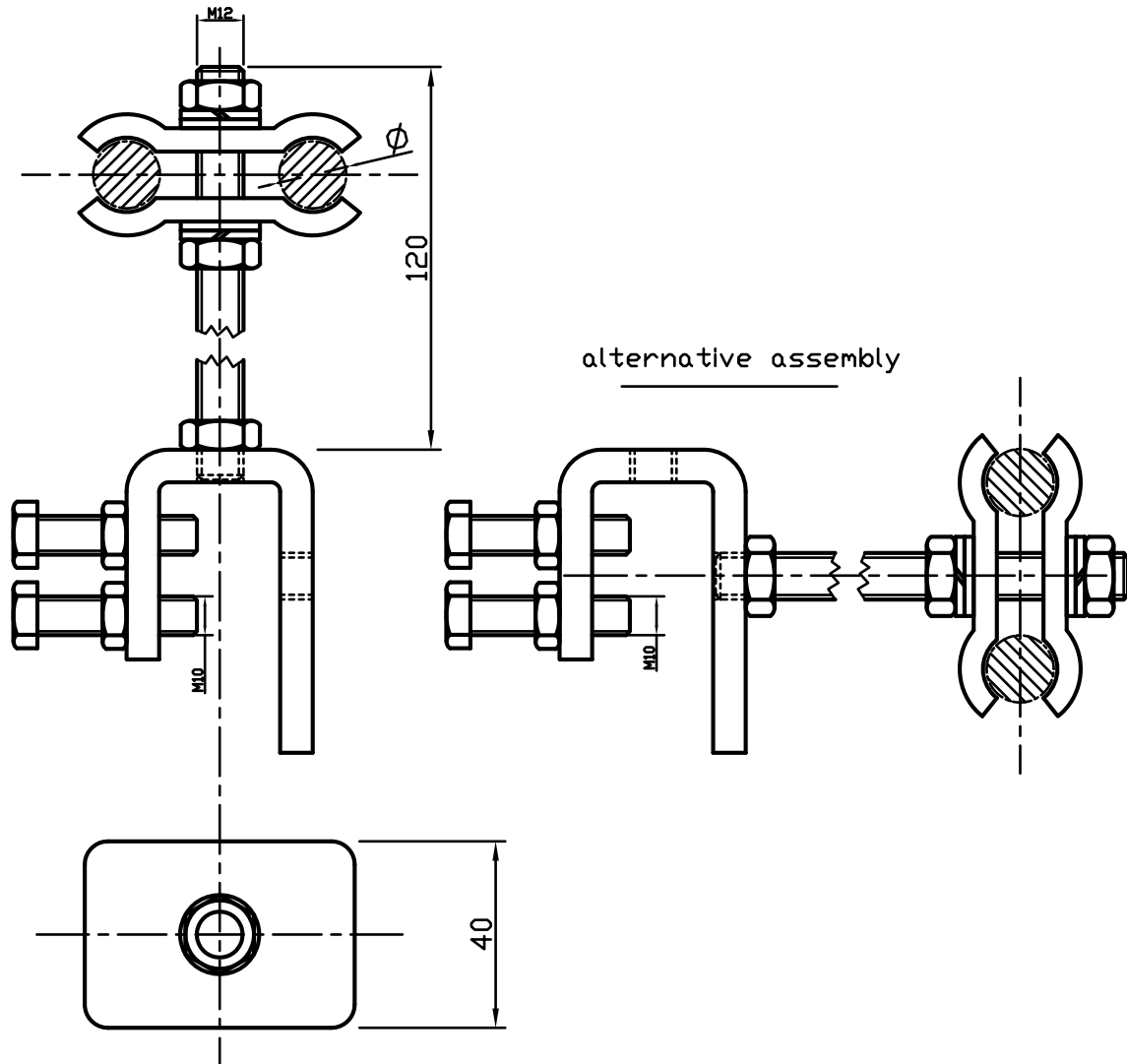
Clamp: *Aluminium alloy*

Bracket: *Galvanized steel*



MORSETTO DI DISCESA PER OPGW

DOWN – LEAD CLAMP FOR OPGW



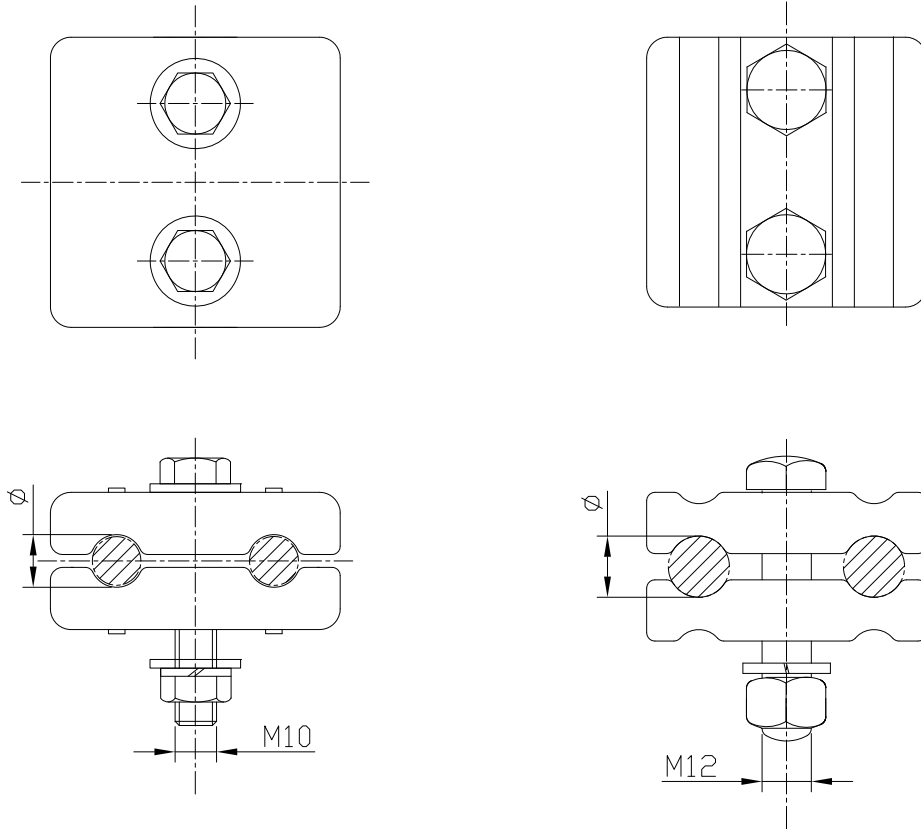
CODICE NES	DIMENSIONI (mm)
NES CODE	DIMENSIONS (mm)
	ϕ
8 36 02 867	10÷20.5

MATERIALS:

Clamp: *Aluminium alloy*
 Bracket: *Galvanized steel*

MORSETTI BIFILARI PER OPGW

PARALLEL GROOVE CLAMPS FOR OPGW



CODICE NES	DIMENSIONI (mm)
NES CODE	DIMENSIONS (mm)
	ϕ
8 36 02 005	10÷12.5
8 36 02 108	12.5÷15.5
8 36 02 006	15.5÷18
8 36 02 007	18÷20

MATERIALS:

Clamp: *Aluminium alloy*

CODICE NES	DIMENSIONI (mm)
NES CODE	DIMENSIONS (mm)
	ϕ
8 36 02 001	7÷12
8 36 02 011	12÷15
8 36 02 012	15÷20

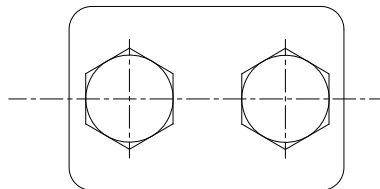
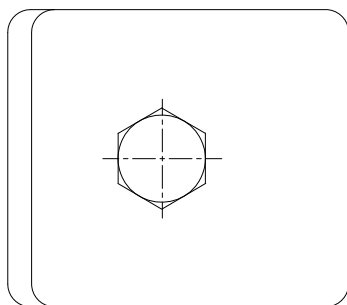
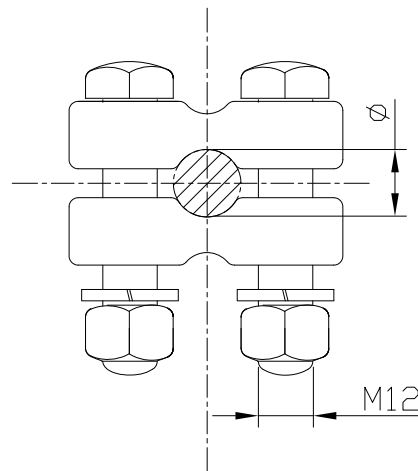
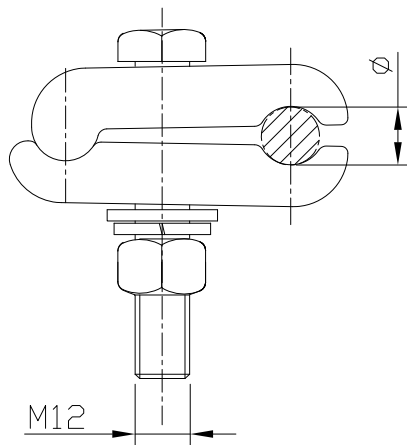
MATERIALS:

Clamp: *Galvanised steel*



MORSETTI UNIFILARI PER OPGW

UNIFILAR GROOVE CLAMPS FOR OPGW



CODICE NES	DIMENSIONI (mm)
NES CODE	DIMENSIONS (mm)
ϕ	
8 36 01 883	10÷20.5

MATERIALS:

Clamp: *Aluminium alloy*

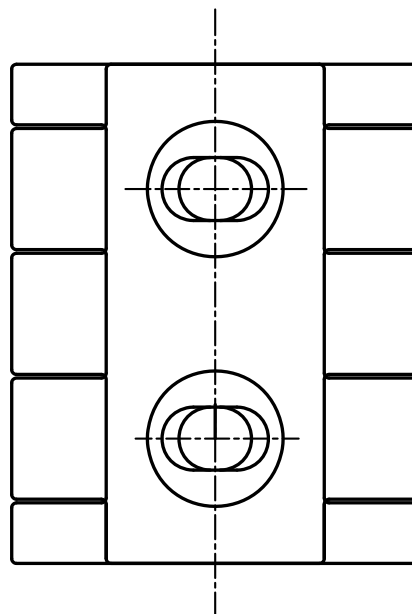
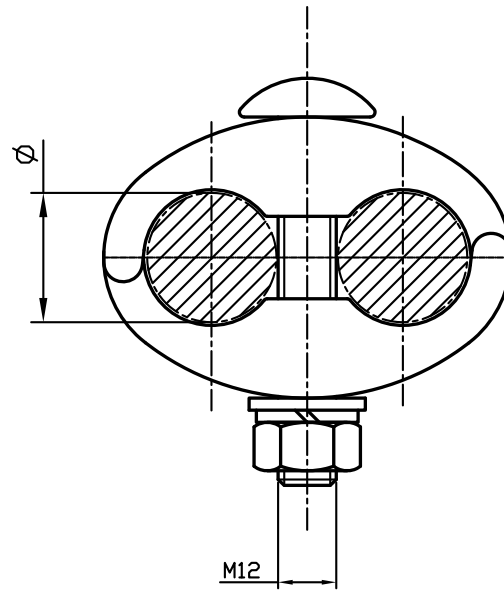
CODICE NES	DIMENSIONI (mm)
NES CODE	DIMENSIONS (mm)
ϕ	
8 36 01 101	7÷12.5
8 36 01 231	12.5÷16
8 36 02 232	16÷20

MATERIALS:

Clamp: *Galvanised steel*

MORSETTI BIFILARI PER OPGW
PARALLEL GROOVE CLAMPS FOR OPGW

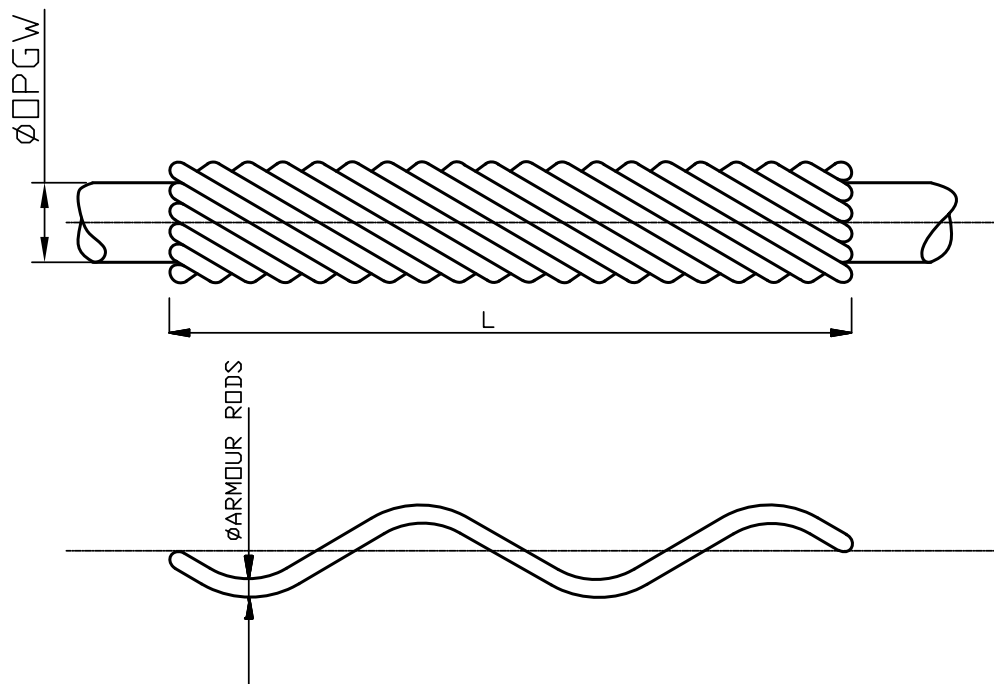
To be installed on armour rods



CODICE NES	DIMENSIONI (mm)	
NES CODE	DIMENSIONS (mm)	MATERIAL
	ϕ	
8 36 02 109	11÷28	Aluminum alloy

SBARRETTE DI PROTEZIONE PER STOCKBRIDGE

DAMPER PROTECTION ARMOUR RODS



CODICE NES	DIMENSIONI (mm)		
NES CODE	DIMENSIONS (mm)		
	$\varnothing OPGW$	L	$\varnothing ARMOUR RODS$
8 45 37 501	9÷9,5	360	3,7
8 45 37 502	9÷10	380	3,7
8 45 37 503	10÷10,5	380	3,7
8 45 37 504	10,5÷11	380	3,7
8 45 37 505	11÷11,5	400	3,7
8 45 37 506	11,5÷12	400	3,7
8 45 37 507	12÷12,5	400	3,7
8 45 46 501	12,5÷13	460	4,6
8 45 46 502	13÷13,5	460	4,6
8 45 46 503	13,5÷14	480	4,6
8 45 46 504	14÷14,5	480	4,6
8 45 46 506	14,5÷15	480	4,6
8 45 46 505	15÷15,5	500	4,6
8 45 52 501	15,5÷16	500	4,6
8 45 52 503	16÷16,5	580	5,2
8 45 52 504	16,5÷17	580	5,2
8 45 52 505	17÷17,5	580	5,2
8 45 52,502	17,5÷18	580	5,2
8 45 52 506	18÷18,5	600	5,2
8 45 52 507	18,5÷19	600	5,2
8 45 52 508	19÷19,5	620	5,2
8 45 52 509	19,5÷20	620	5,2

MATERIALS:
Aluminium alloy